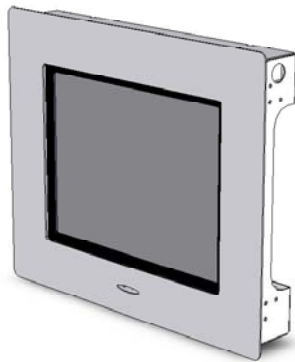




triCUSTOM®

0.2.2.1 SPA Vision



Specification

SHARP LC-15S1E LCD Television

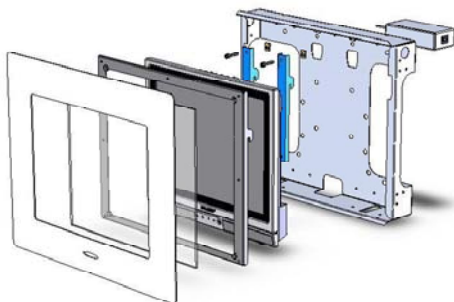
New ASV (Advanced Super View) and Black TFT LCD Panel
 High Brightness - 430 cd/m²
 High Contrast - 500:1
 Wide Viewing Angles - (H:170° / V:170°)
 Long Life Backlight - 60000 Hours
 Nicam Stereo Sound
 Fاستext
 7 Language On-Screen Display

SHARP



AQUOS

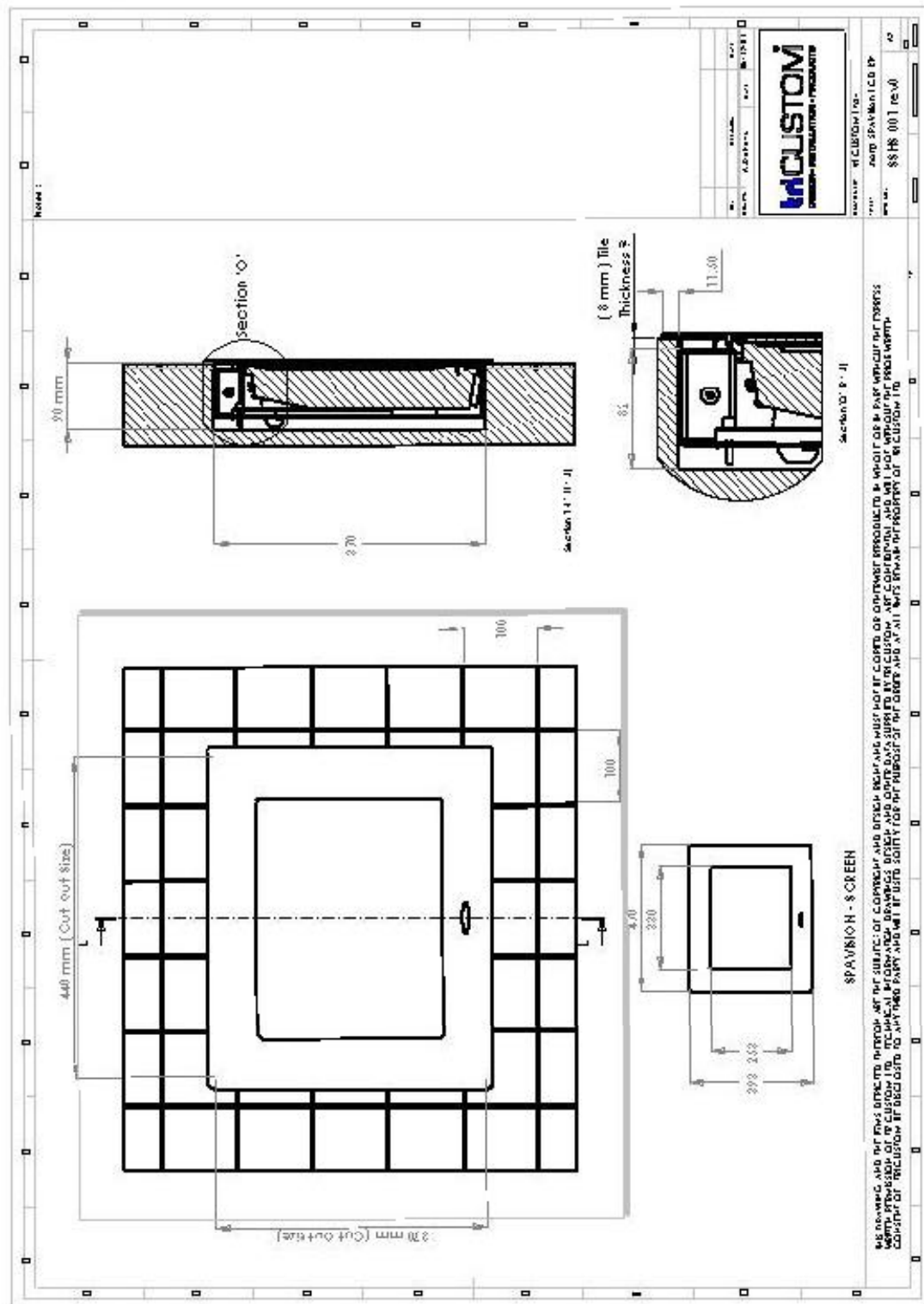
Type	15" (38.1cm) LCD Colour TV
LCD Panel	15" new ASV (Advanced Super View) and Black TFT Panel, VGA 921,600 pixels (640x3x480)
Brightness	430 cd/m ²
Contrast	500:1
Viewing Angle	H:170° / V:170°
Backlight life (Hours)	60,000
Colour System	PAL/SECAM/NTSC
Receiving System	PAL-B/G, D/K, I; SECAM-B/G, D/K, L
Tuner	VHF/UHF CATV
Yes	Yes
Yes	Yes
Fastext	Yes
Preset Channel	Autosort Preset 200 ch
Stereo System	NICAM / IGR
Audio Output	2 x 2.1W
Speakers	4 x 7 cm: 2 pieces
OSD Languages	7 (English, German, French, Spanish, Dutch, Italian, Swedish)
Auto Installation	Yes
Off Timer	Yes
Child Lock	Yes
Power Consumption	43W (AC) / 37W (DC)
Standby (<1W)	Yes
Terminals	
AV In 1	21-pin Eurocart (RGB)
AV In 2	AV In / S-Video In + Audio L/R
AV Out	Audio Out
Weight (Kg)	4.2 (LCD)
Supplied Accessories	Remote Control (Splash proof), 2 x AAA Dry batteries, AC Adaptor. AC Cord, Cable Clamps. Operation Manual





triCUSTOM®

0.2.2.1 SPA Vision KIT





0.2.2.1 SPA Vision KIT

